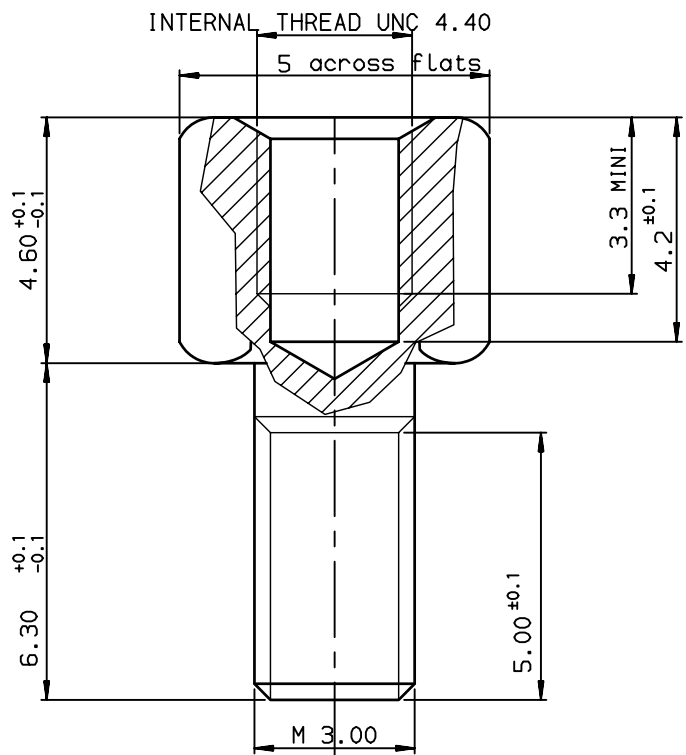


1

2

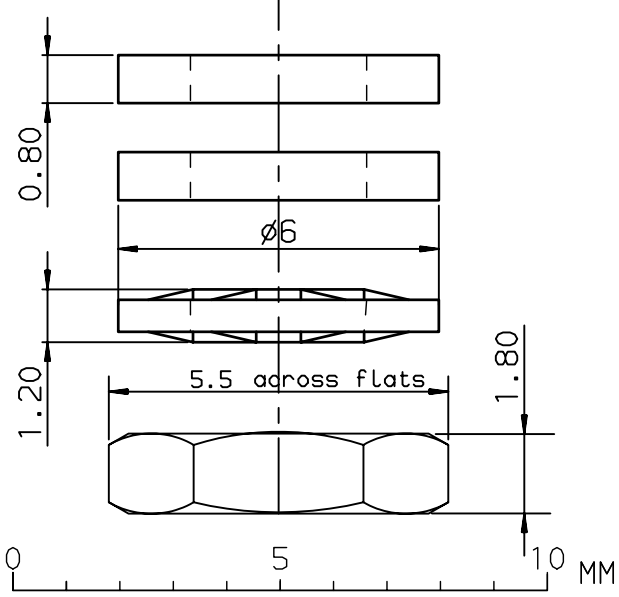
3

4



TECHNICAL CHARACTERISTICS :

Female screw locks: brass, cadmium plated .
 Compensating washer: steel , zinc plated .
 Nuts : steel , zinc plated .
 Packaging : per 100 pieces .
 Corrosion resistance : 48 hours exposure to salt spray .



Part number **8630-01-017**

European Views

| | | | | |
|--------------------|---------|---------------------------------------|-----------------------------------|------------------|
| www.fciconnect.com | | surface ISO 1302 | tolerance std ISO 406 ISO 1101 | projection mm |
| | | TOLERANCES UNLESS OTHERWISE SPECIFIED | | mm |
| Dr | JOUBERT | 1994/12/12 | 0.X ±0.1 | size A3 |
| Eng | PESSON | 1994/12/12 | 0.XX ±0.1 | Scale 10 |
| Chr | LEGARE | 1994/12/12 | 0.XX* ±2* | ECN LS07-0001 |
| Appr | LEGARE | 1994/12/12 | 0.XXX ±0.1 | Spec ref - |
| Product family | | | D-SUB | |
| FCJ | | FEMALE SCREW LOCKS | | Rev. C |
| title - | | dwg no C01-8655-0660 | | |
| catalog no - | | CUSTOMER | | sheet 1 of 1 |

| rev | ecn no | dr | date |
|-----|-----------|-----|------------|
| A | - | JOU | 1994/12/12 |
| B | LS06-0097 | LGO | 2006/07/28 |
| C | LS07-0001 | MPE | 2007/01/02 |
| - | - | - | - |
| - | - | - | - |
| - | - | - | - |
| - | - | - | - |



Copyright FCJ.